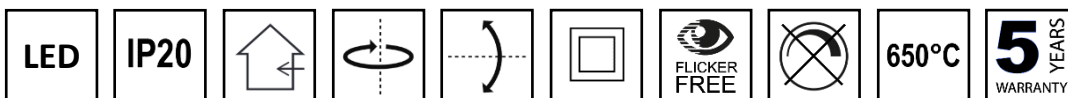
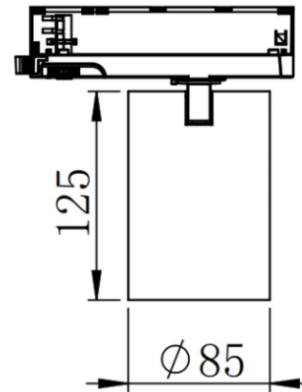


# L4T728-CCT

17w LED Tracklight with CCT Switchable

**Rio**<sup>®</sup>  
LIGHT DYNAMIC



## General Information

<b>Housing Material:</b>	Aluminium	<b>Diffuser Material:</b>	N/A
<b>Colour (RAL):</b>	White(9016) - Black(9004)	<b>Weight:</b>	498g
<b>Dimensions (L-W-H):</b>	Dia.85*H125mm	<b>Cuthole :</b>	N/A
<b>Connection:</b>	Track Adapter (3phase)	<b>Installation:</b>	Track mounted
<b>Rotation Angle:</b>	355°	<b>Tilting Angle:</b>	90°
<b>Temperature:</b>	-20 ~ +35°C	<b>Accessories:</b>	N/A

## Photometrical Data

<b>LED Manufacturer:</b>	TYF	<b>LED Type:</b>	TBG
<b>CCT:</b>	3000K - 3500K(Mix) - 4000K	<b>CRI(Minimum):</b>	90
<b>lm system (±5%):</b>	2134lm - 2279lm - 2212lm	<b>lm source:</b>	2270lm - 2425lm - 2353lm
<b>Luminous Efficiency:</b>	106lm/w - 113lm/w - 110lm/w	<b>MacAdam:</b>	3
<b>Opitc:</b>	Reflector (Alanod)	<b>Beam Angle:</b>	17°/24°/36°/55°
<b>UGR:</b>	<22	<b>LifeSpan (Ta25°C):</b>	>50.000h - L70B50

## Electrical Data

<b>Driver:</b>	KGP	<b>Input Voltage:</b>	220-240VAC 50/60Hz
<b>Output Voltage:</b>	10-42VDC	<b>Output Current:</b>	500mA
<b>Power Factor:</b>	>0.9	<b>Current Ripple:</b>	±5%
<b>W system:</b>	20.2W	<b>Ballast Losses:</b>	2.2W
<b>Control:</b>	ON/OFF	<b>Minimum Dimming:</b>	N/A
<b>Inrush Current:</b>	40A / 4μs	<b>Max No. of Units</b>	B10/13/16 = 15/20/24
		<b>per MCB:</b>	C10/13/16 = 24/31/38