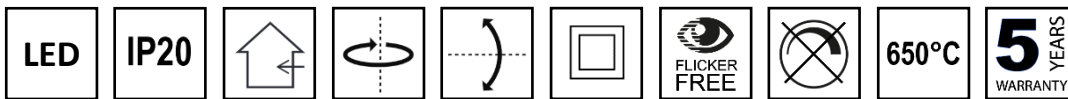
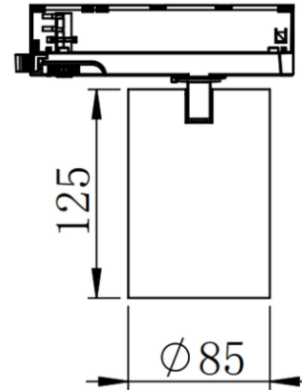


# L4T728

17w LED Tracklight with intrack driver (150lm/W)

**RiO**<sup>®</sup>  
LIGHT DYNAMIC



## General Information

<b>Housing Material:</b>	Aluminium	<b>Diffuser Material:</b>	Glass
<b>Colour (RAL):</b>	White(9016) - Black(9004)	<b>Weight:</b>	515g
<b>Dimensions (L-W-H):</b>	Dia.85*H125mm	<b>Cuthole :</b>	N/A
<b>Connection:</b>	Track Adapter (3phase)	<b>Installation:</b>	Track mounted
<b>Rotation Angle:</b>	355°	<b>Tilting Angle:</b>	90°
<b>Temperature:</b>	-20 ~ +35°C	<b>Accessories:</b>	N/A

## Photometrical Data

<b>LED Manufacturer:</b>	BRIDGELUX	<b>LED Type:</b>	V13C-FD(BBBL)
<b>CCT:</b>	2700K-3000K-3500K-4000K	<b>CRI(Minimum):</b>	90
<b>lm system (±5%):</b>	2643lm-2700lm-2715lm-2730lm	<b>lm source:</b>	2869lm-2945lm-2957lm-2964lm
<b>Luminous Efficiency:</b>	146lm/w-149lm/w-150lm/w-151lm/w	<b>MacAdam:</b>	3
<b>Optic:</b>	Reflector (Alanod)	<b>Beam Angle:</b>	17°/24°/36°/55°
<b>UGR:</b>	<22	<b>LifeSpan (Ta25°C):</b>	>50.000h - L70B50

## Electrical Data

<b>Driver:</b>	KGP	<b>Input Voltage:</b>	220-240VAC 50/60Hz
<b>Output Voltage:</b>	24-42VDC	<b>Output Current:</b>	500mA
<b>Power Factor:</b>	>0.9	<b>Current Ripple:</b>	±5%
<b>W system:</b>	18.1W	<b>Ballast Losses:</b>	1.4W
<b>Control:</b>	ON/OFF	<b>Minimum Dimming:</b>	N/A
<b>Inrush Current:</b>	45A / 400µs	<b>Max No. of Units</b>	B10/13/16 = 13/17/21
		<b>per MCB:</b>	C10/13/16 = 21/28/34