

# PRODUCT DATASHEET

## Model: LDL504

Category: LED Recessed Downlight

Description: 29w LED Recessed Downlight



## General Information

Material: Aluminum

Fitting Colors: Matte White/ Black

Rotation Angle (degree): 350

Tilting Angle (degree): 30

Track System: Not Applicable

IP Rating: 20

Working Temperature (°C): -5 - +32

Storage Temperature (°C): -20 - +50



## Product Dimensions and Cut-out Information

Fitting Length (mm): Not Applicable

Diameter (mm): 140

Height (mm): 129

Cut-out Dimension (mm): 120

False Ceiling Thickness (mm): 159

## Packing Information

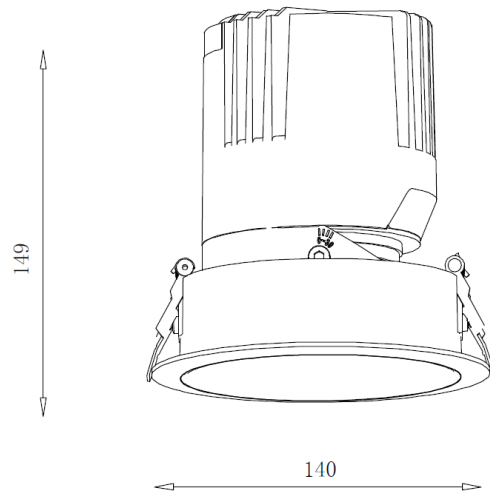
Packaging Type: Individual box

Quantity per carton: 18

CBM per carton: 0.084

Gross weight per carton (kgs): 18.5

Dimension:



## Lifespan

Lifetime (hours): 50000

Luminous Flux after 50000hours (lm): LM80 Comply

# PRODUCT DATASHEET

## Model: LDL504

Category: LED Recessed Downlight

Description: 29w LED Recessed Downlight



## Light Technical Information

Color Temperature	CRI (Ra)	Gamut Index (GAI)	System Lumen	Lumen per Watt
2700	90	90	2854	88
2700	95	100	2468	76
3000	90	90	2980	92
3000	95	100	2566	79
4000	90	90	3129	96
4000	95	100	2836	87

LED Manufacturer: Luminus

LED Type: COB

LED Model: CXM-14 Gen4

Optic: Lens

Beam Angle (°): 15/24/36/55

## Electrical Information

System Power (w): 32.5

Input Voltage (v) & Frequency: 220V 50/60Hz

Output Voltage (v): 31-37

Current (mA): 800

Non-Dimmable: Tridonic Non-Dimmable Driver

Power Factor: 0.9

Efficiency (%): 86

Total Harmonic Distortion (%): <15

Ripple (%): ±5

Dimmable: Triac Dimming – Upon Request

1-10V Dimming – Upon Request

Dali Dimming – Upon Request