

PRODUCT DATASHEET

Model: LDL502

Category: LED Recessed Downlight

Description: 13w LED Recessed Downlight



General Information

Material: Aluminum

Fitting Colors: Matte White/ Black

Rotation Angle (degree): 350

Tilting Angle (degree): 30

Track System: Not Applicable

IP Rating: 20

Working Temperature (°C): -5 - +32

Storage Temperature (°C): -20 - +50



Product Dimensions and Cut-out Information

Fitting Length (mm): Not Applicable

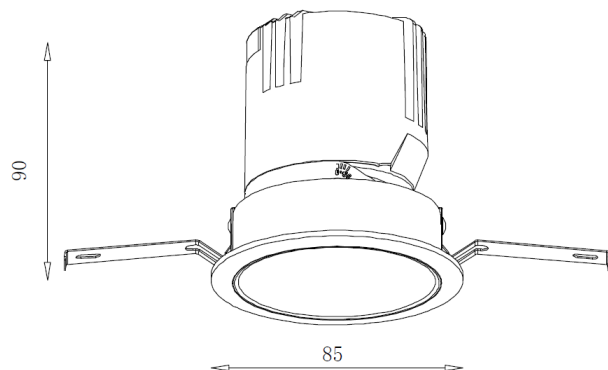
Diameter (mm): 85

Height (mm): 90

Cut-out Dimension (mm): 75

False Ceiling Thickness (mm): 100

Dimension:



Packing Information

Packaging Type: Individual box

Quantity per carton: 30

CBM per carton: 0.055

Gross weight per carton (kgs): 13.5

Lifespan

Lifetime (hours): 50000

Luminous Flux after 50000hours (lm): LM80 Comply

PRODUCT DATASHEET

Model: LDL502

Category: LED Recessed Downlight

Description: 13w LED Recessed Downlight



Light Technical Information

Color Temperature	CRI (Ra)	Gamut Index (GAI)	System Lumen	Lumen per Watt
2700	90	90	963	69
2700	95	100	833	59
3000	90	90	1005	72
3000	95	100	868	62
4000	90	90	1057	75
4000	95	100	958	68

LED Manufacturer: Luminus

LED Type: COB

LED Model: CXM-9 Gen4

Optic: Lens

Beam Angle (°): 15/24/36/55

Electrical Information

System Power (w): 14

Input Voltage (v) & Frequency: 220V 50/60Hz

Output Voltage (v): 31-37

Current (mA): 350

Non-Dimmable: Tridonic Non-Dimmable Driver

Power Factor: 0.9

Efficiency (%): 83

Total Harmonic Distortion (%): <15

Ripple (%): ±5

Dimmable: Triac Dimming – Upon Request

1-10V Dimming – Upon Request

Dali Dimming – Upon Request