

# PRODUCT DATASHEET

**Model: L2T628 L3T628 L4T628**

Category: LED Tracklight

Description: 9w LED Tracklight



## General Information

Material: Aluminum

Fitting Colors: Matte White/ Black

Rotation Angle (degree): 355

Tilting Angle (degree): 90

Track System: Available in single wire, 3 wire, 3 phase

IP Rating: 20

Working Temperature (°C): -5 - +35

Storage Temperature (°C): -20 - +50



## Product Dimensions and Cut-out Information

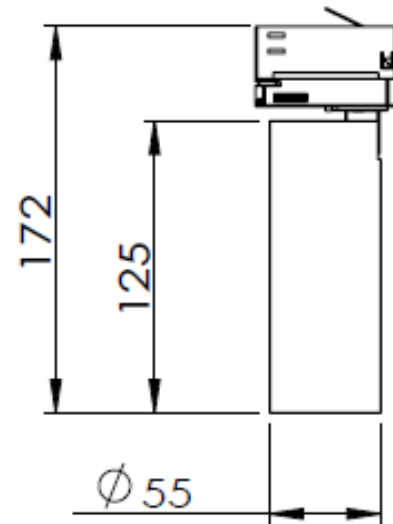
Fitting Length (mm): Not Applicable

Diameter (mm): 52

Height (mm): 125

Cut-out Dimension (mm): Not Applicable

Dimension:



## Packing Information

Packaging Type: Individual box

Quantity per carton: 20

Gross weight per carton (kgs): 10.2

## Lifespan

Lifetime (hours): 50000

# PRODUCT DATASHEET

**Model: L2T628 L3T628 L4T628**

Category: LED Tracklight

Description: 9w LED Tracklight



## Light Technical Information

Color Temperature	CRI (Ra)	Gamut Index (GAI)	System Lumen	Lumen per Watt
2700	90	90	852	77
2700	95	100	744	68
3000	90	90	900	82
3000	95	100	798	73
4000	90	90	954	87
4000	95	100	866	79
5000	90	90	961	87
5000	95	100	839	76

LED Manufacturer: Luminus

LED Type: COB

LED Model: CXM-6 Gen 4

Optic: Reflector

Beam Angle (°): 20/38/40

## Electrical Information

System Power (w): 11

Input Voltage (v) & Frequency: 220-240V 50/60Hz

Output Voltage (v): 31-37

Current (mA): 250

Driver: Tridonic LC 10W 250mA fixC R ADV

Power Factor: 0.95

Efficiency (%): 84

Total Harmonic Distortion (%): <9

Ripple (%): ±5

Dimmable: Triac Dimming – Upon Request

1-10V Dimming – Upon Request

Dali Dimming – Upon Request