

PRODUCT DATASHEET

Model: L2T610

Category: LED Tracklight

Description: 12w LED Tracklight



General Information

Material: Aluminum

Fitting Colors: Matte White, Black

Rotation Angle (degree): 350

Tilting Angle (degree): 90

Track System: Available in single wire, 3 wires

IP Rating: 20

Working Temperature (°C): -5 - +35

Storage Temperature (°C): -20 - +50



Product Dimensions and Cut-out Information

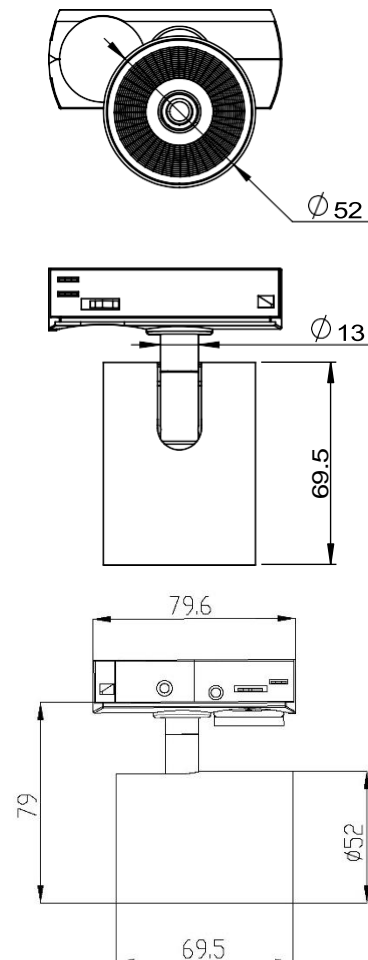
Fitting Length (mm): 69.5

Diameter (mm): 52

Height (mm): 79

Cut-out Dimension (mm): Not Applicable

Dimension:



Lifespan

Lifetime (hours): 30000

PRODUCT DATASHEET

Model: L2T610

Category: LED Tracklight

Description: 12w LED Tracklight



Light Technical Information

Color Temperature	CRI (Ra)	System Lumen	Lumen per Watt
2700	90	1038	81
3000	90	1077	84
4000	90	1181	92
5000	90	1225	95

LED Manufacturer: HONGLI

LED Type: COB

LED Model: HL-LC2009D4W

Optic: LENS

Beam Angle (°): 17°/24°/36°

Electrical Information

System Power (w): 12.8

Input Voltage (v) & Frequency: 220-240V 50/60Hz

Output Voltage (v): 97-119

Current (mA): 110

Driver Manufacturer: RIO

Power Factor: >0.5

Efficiency (%): >94

Ripple (%): ±5

Dimmable: Non-Dimming