

PRODUCT DATASHEET

Model: LDL618

Category: LED Adjustable Downlight

Description: 13w LED Adjustable Downlight



General Information

Material: Aluminum

Fitting Colors: Matte White+ Black

Rotation Angle (degree): 355

Tilting Angle (degree): 90

Track System: Not Applicable

IP Rating: 20

Working Temperature (°C): -5 - +35

Storage Temperature (°C): -20 - +50



Product Dimensions and Cut-out Information

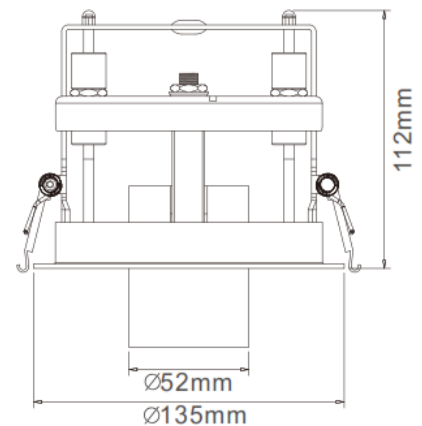
Fitting Length (mm): 135

Diameter (mm): 52

Height (mm): 112

Cut-out Dimension (mm): 125

Dimension:



Packing Information

Packaging Type: Individual box

Quantity per carton: 12

CBM per carton: 0.06

Gross weight per carton (kgs): 12

Lifespan

Lifetime (hours): 50000

Luminous Flux after 50000hours (lm): LM80 Comply



PRODUCT DATASHEET

Model: LDL618

Category: LED Adjustable Downlight

Description: 13w LED Adjustable Downlight



Light Technical Information

Color Temperature	CRI (Ra)	Gamut Index (GAI)	System Lumen	Lumen per Watt
2700	90	90	1116	78
2700	95	100	1063	74
3000	90	90	1198	84
3000	95	100	1122	79
4000	90	90	1291	90
4000	95	100	1192	83
5000	80	90	1497	105
5000	90	90	1297	91

LED Manufacturer: Luminus

LED Type: COB

LED Model: CLM-9-30-90-36-TC30-F4-2

Optic: Reflector

Beam Angle (°): 20/38/55

Electrical Information

System Power (w): 14.2

Input Voltage (v) & Frequency: 220-240V 50/60Hz

Output Voltage (v): 31-37

Current (mA): 350

Non-Dimmable: RiO Non-dimmable Driver

Power Factor: 0.95

Efficiency (%): 80

Total Harmonic Distortion (%): <8

Ripple (%): ±5%

Dimmable: Triac Dimming – Upon Request

1-10V Dimming – Upon Request

Dali Dimming – Upon Request