

PRODUCT DATASHEET

Model: LDL258

Category: LED Adjustable Downlight

Description: 9w LED Adjustable Downlight



General Information

Material: Aluminum

Fitting Colors: White/ Black/ Painted Silver

Rotation Angle (degree): Not Applicable

Tilting Angle (degree): 30

Track System: Not Applicable

IP Rating: 20

Working Temperature (°C): -5 - +35

Storage Temperature (°C): -20 - +50

Approval: CB



Product Dimensions and Cut-out Information

Fitting Length (mm): Not Applicable

Diameter (mm): 86.5

Height (mm): 92

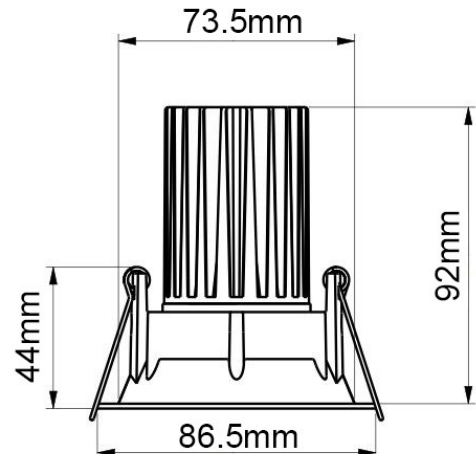
Cut-out Dimension (mm): 75

Lifespan

Lifetime (hours): 50000

Luminous Flux after 50000hours (lm): LM80 Comply

Dimension:



PRODUCT DATASHEET

Model: LDL258

Category: LED Adjustable Downlight

Description: 9w LED Adjustable Downlight



Light Technical Information

Color Temperature	CRI (Ra)	Gamut Index (GAI)	System Lumen	Lumen per Watt
2700	90	90	738	67
2700	95	100	692	63
3000	90	90	777	71
3000	95	100	724	66
3000 Vivid White	90	110	738	67
4000	90	90	836	76
4000	95	100	771	70
5000	80	90	968	88
5000	90	90	836	76

LED Manufacturer: Luminus

LED Type: COB

LED Model: CXM-6 Gen 3

Optic: Reflector

Beam Angle (°): 20/38/55

Electrical Information

System Power (w): 11

Input Voltage (v) & Frequency: 220-240V 50/60Hz

Output Voltage (v): 15.5-18.5

Current (mA): 500

Non-Dimmable: Tridonic LC 10W 500mA fixC C SNC

Power Factor: 0.9

Efficiency (%): 81

Total Harmonic Distortion (%): <20

Ripple (%): Not Applicable

Dimmable: Triac Dimming – Upon Request

1-10V Dimming – Upon Request

Dali Dimming – Upon Request