

PRODUCT DATASHEET

Model: LDL258

Category: LED Adjustable Downlight

Description: 7w LED Adjustable Downlight



General Information

Material: Aluminum

Fitting Colors: White/ Black/ Painted Silver

Rotation Angle (degree): Not Applicable

Tilting Angle (degree): 30

Track System: Not Applicable

IP Rating: 20

Working Temperature (°C): -5 - +35

Storage Temperature (°C): -20 - +50



Product Dimensions and Cut-out Information

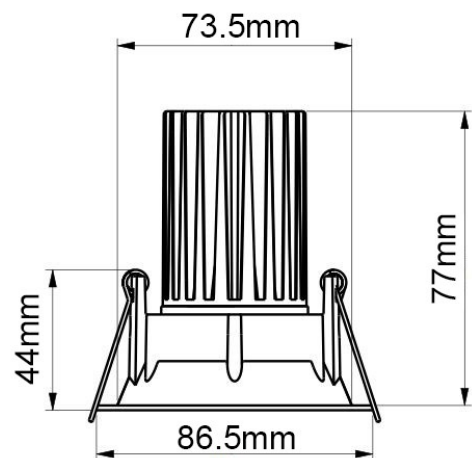
Fitting Length (mm): Not Applicable

Diameter (mm): 86.5

Height (mm): 77

Cut-out Dimension (mm): 75

Dimension:



Lifespan

Lifetime (hours): 30000

Luminous Flux after 50000hours (lm): LM80 Comply

PRODUCT DATASHEET

Model: LDL258

Category: LED Adjustable Downlight

Description: 7w LED Adjustable Downlight



Light Technical Information

Color Temperature	CRI (Ra)	Gamut Index (GAI)	System Lumen	Lumen per Watt
2700	90	90	546	68
2700	95	100	512	64
3000	90	90	575	72
3000	95	100	536	76
3000 Vivid White	90	110	546	68
4000	90	90	619	77
4000	95	100	570	71
5000	80	90	716	90
5000	90	90	619	77

LED Manufacturer: Luminus

LED Type: COB

LED Model: CXM-6 Gen 3

Optic: Reflector

Beam Angle (°): 20/38/55

Electrical Information

System Power (w): 8

Input Voltage (v) & Frequency: 220-240V 50/60Hz

Output Voltage (v): 15.5-18.5

Current (mA): 350

Non-Dimmable: RiO Non-dimmable Driver

Power Factor: 0.5

Efficiency (%): 83

Total Harmonic Distortion (%): <30

Ripple (%): Not Applicable

Dimmable: Triac Dimming – Upon Request

1-10V Dimming – Upon Request

Dali Dimming – Upon Request