

# PRODUCT DATASHEET

## Model: LDL220

Category: LED Downlight

Description: 12w LED Downlight



## General Information

Material: Aluminium + Ferrum

Fitting Colors: Matt White/ Black

Rotation Angle (degree): 360

Tilting Angle (degree): 66

Track System: Not Applicable

IP Rating: 20

Working Temperature (°C): -20 - +32

Storage Temperature (°C): -20 - +50



## Product Dimensions and Cut-out Information

Fitting Length (mm): 105

Diameter (mm): 50

Height (mm): Not Applicable

Cut-out Dimension (mm): 110

## Packing Information

Packaging Type: Individual box

Quantity per carton: 10

CBM per carton: 0.036

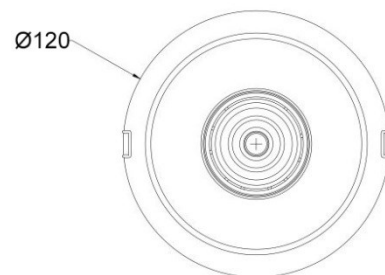
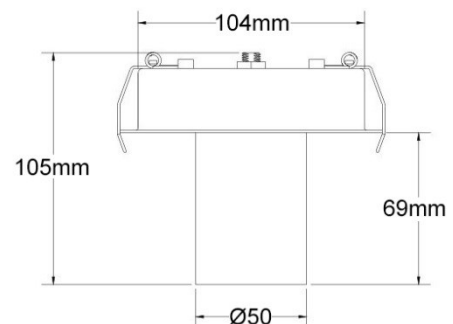
Gross weight per carton (kgs): 10

## Lifespan

Lifetime (hours): 50000

Luminous Flux after 50000hours (lm): LM80 Comply

Dimension:



# PRODUCT DATASHEET

## Model: LDL220

Category: LED Downlight

Description: 12w LED Downlight



## Light Technical Information

Color Temperature	CRI (Ra)	Gamut Index (GAI)	System Lumen	Lumen per Watt
2700	90	90	934	62
2700	95	100	890	59
3000	90	90	1002	67
3000	95	100	939	63
3000 Vivid White	90	110	953	64
4000	90	90	1080	72
4000	95	100	1002	67
5000	80	90	1254	84
5000	90	90	1086	72

LED Manufacturer: Luminus

LED Type: COB

LED Model: CLM-9 Gen 3

Optic: Reflector

Beam Angle (°): 25/38/60

## Electrical Information

System Power (w): 15

Input Voltage (v) & Frequency: 220-240V 50/60Hz

Output Voltage (v): 27-44

Current (mA): 350

Non-Dimmable: LC 25W 350-600mA flexC SC ADV

Power Factor: 0.95

Efficiency (%): ≤ 82

Total Harmonic Distortion (%): <10

Ripple (%): Not Applicable

Dimmable: Triac Dimming – Upon Request

1-10V Dimming – Upon Request

Dali Dimming – Upon Request