

PRODUCT DATASHEET

Model: LDL219

Category: LED Downlight

Description: 12w LED Downlight DALI dimming with honeycomb



General Information

Material: Aluminum + Iron

Fitting Colors: Matt White/ Black

Rotation Angle (degree): 360

Tilting Angle (degree): 66

Track System: Not Applicable

IP Rating: 20

Working Temperature (°C): -20 - +32

Storage Temperature (°C): -20 - +50



Product Dimensions and Cut-out Information

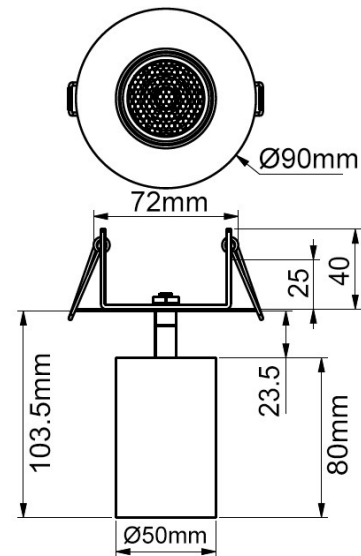
Fitting Length (mm): 103.5

Diameter (mm): 50

Height (mm): Not Applicable

Cut-out Dimension (mm): 80

Dimension:



Packing Information

Packaging Type: Individual box

Quantity per carton: 10

CBM per carton: 0.036

Gross weight per carton (kgs): 10

Lifespan

Lifetime (hours): 50000

Luminous Flux after 50000hours (lm): LM80 Comply

Accessories



Honeycomb

PRODUCT DATASHEET

Model: LDL219

Category: LED Downlight

Description: 12w LED Downlight DALI dimming with honeycomb



Light Technical Information

| Color Temperature | CRI (Ra) | Gamut Index (GAI) | System Lumen | Lumen per Watt |
|-------------------|----------|-------------------|--------------|----------------|
| 2700 | 90 | 90 | 600 | 43 |
| 2700 | 95 | 100 | 572 | 41 |
| 3000 | 90 | 90 | 644 | 46 |
| 3000 | 95 | 100 | 603 | 43 |
| 3000 Vivid White | 90 | 110 | 612 | 44 |
| 4000 | 90 | 90 | 695 | 50 |
| 4000 | 95 | 100 | 644 | 46 |
| 5000 | 80 | 90 | 806 | 58 |
| 5000 | 90 | 90 | 698 | 50 |

LED Manufacturer: Luminus

LED Type: COB

LED Model: CLM-9 Gen 3

Optic: Reflector

Beam Angle (°): 25/38/60

Electrical Information

System Power (w): 14

Input Voltage (v) & Frequency: 220-240V 50/60Hz

Output Voltage (v): 31-37

Current (mA): 350

Dali dimming: Tridonic LCA 17W 250-700mA one4all SC PRE

Power Factor: 0.96

Efficiency (%): 86

Total Harmonic Distortion (%): <3

Ripple (%): ±5

Dimmable: Triac Dimming – Upon Request

1-10V Dimming – Upon Request