

PRODUCT DATASHEET

Model: L2TB530 L3TB530 L4TB530

Category: LED Tracklight

Description: 7w LED Tracklight



General Information

Material: Aluminum

Fitting Colors: Matte White/ Black

Rotation Angle (degree): 355

Tilting Angle (degree): 340

Track System: Available in single wire, 3 wire, 3 phase

IP Rating: 20

Working Temperature (°C): -5 - +35

Storage Temperature (°C): -20 - +50



Product Dimensions and Cut-out Information

Fitting Length (mm): Not Applicable

Diameter (mm): 40

Height (mm): 80

Cut-out Dimension (mm): Not Applicable

Packing Information

Packaging Type: Individual box

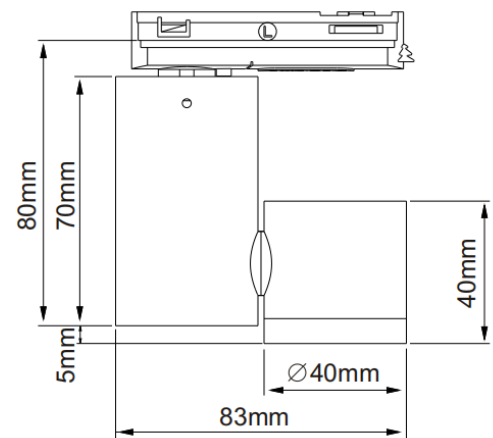
Quantity per carton: 50

CBM per carton: 0.02

Lifespan

Lifetime (hours): 30000

Dimension:



PRODUCT DATASHEET

Model: L2TB530 L3TB530 L4TB530

Category: LED Tracklight

Description: 7w LED Tracklight



Light Technical Information

Color Temperature	CRI (Ra)	Gamut Index (GAI)	System Lumen	Lumen per Watt
2700	90	90	472	64
2700	95	100	413	56
3000	90	90	496	68
3000	95	100	443	40
4000	90	90	529	72
4000	95	100	480	65
5000	90	90	532	72
5000	95	100	465	63

LED Manufacturer: Luminus

LED Type: COB

LED Model: CXM-6 Gen 4

Optic: Reflector

Beam Angle (°): 15/24/36

Electrical Information

System Power (w): 7.35

Input Voltage (v) & Frequency: 220-240V 50/60Hz

Output Voltage (v): 13-21

Current (mA): 350

Non-Dimmable: RiO Non-dimmable driver

Power Factor: 0.9

Efficiency (%): 81

Total Harmonic Distortion (%): ≤15%

Ripple (%): ±5%

Dimmable: Triac Dimming – Upon Request

1-10V Dimming – Upon Request

Dali Dimming – Upon Request