

# PRODUCT DATASHEET

## Model: L4T732

Category: LED Tracklight

Description: 26w LED Tracklight



## General Information

Material: Aluminum

Fitting Colors: White/ Black/ Painted Silver

Rotation Angle (degree): 350

Tilting Angle (degree): 90

Track System: Available in single wire, 4 wire, 4 phase

IP Rating: 20

Working Temperature (°C): -20 - +32

Storage Temperature (°C): -20 - +50

Approval: /



## Product Dimensions and Cut-out Information

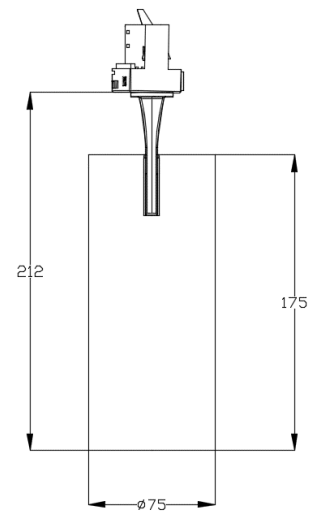
Fitting Length (mm): 175

Diameter (mm): 75

Height (mm): Not Applicable

Cut-out Dimension (mm): Not Applicable

Dimension:



## Packing Information

Packaging Type: Individual box

Quantity per carton: 10

CBM per carton: 0.0356

## Lifespan

Lifetime (hours): 50000

Luminous Flux after 50000hours (lm): LM80 Comply

# PRODUCT DATASHEET

## Model: L4T732

Category: LED Tracklight

Description: 26w LED Tracklight



## Light Technical Information

| Color Temperature | CRI (Ra) | System Lumen | Lumen per Watt |
|-------------------|----------|--------------|----------------|
| 2700              | 90       | 1827         | 66             |
| 2700              | 95       | 1748         | 64             |
| 3000              | 90       | 1971         | 72             |
| 3000              | 95       | 1840         | 67             |
| 3500              | 90       | 2004         | 73             |
| 3500              | 95       | 1919         | 70             |
| 4000              | 90       | 2116         | 77             |
| 4000              | 95       | 1958         | 71             |
| 5000              | 90       | 2129         | 77             |
| 5000              | 95       | 1958         | 71             |

LED Manufacturer: Luminus

LED Type: COB

LED Model: CXM-9-30-90-36-TC30

Optic: Reflector

Beam Angle (°): 17/24/36

## Electrical Information

System Power (w): 27.5

Input Voltage (v) & Frequency: 220-240V 50/60Hz

Output Voltage (v): 31-37

Current (mA): 700

Non-Dimming: Tridonic LC 32W 700-800mA fixC R ADV2

Power Factor: 0.95

Efficiency (%): 90

Total Harmonic Distortion (%): <9

Ripple (%): ±5

Dimmable: Triac Dimming – Upon Request

1-10V Dimming – Upon Request

DALI Dimming – Upon Request