

PRODUCT DATASHEET

Model: LMT630

Category: LED Track Light

Description: 5w LED Track Light



General Information

Material: Aluminum

Fitting Colors: White/ Black

Rotation Angle (degree): 350

Tilting Angle (degree): 90

Track System: Available in single wire, 3 wire, 3 phase

IP Rating: 20

Working Temperature (°C): -5 - +35

Storage Temperature (°C): -20 - +50



Product Dimensions and Cut-out Information

Fitting Length (mm): 88

Diameter (mm): 32

Height (mm): Not Applicable

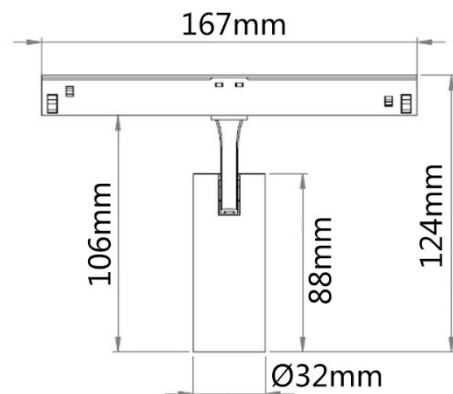
Cut-out Dimension (mm): Not Applicable

Lifespan

Lifetime (hours): 50000

Luminous Flux after 50000hours (lm): LM80 Comply

Dimension:



PRODUCT DATASHEET

Model: LMT630

Category: LED Track Light

Description: 5w LED Track Light



Light Technical Information

Color Temperature	CRI (Ra)	Gamut Index (GAI)	System Lumen	Lumen per Watt
2700	90	90	427	73
2700	95	100	401	69
3000	90	90	453	77
3000	95	100	417	71
4000	90	90	514	88
4000	95	100	468	80
5000	80	90	571	83
5000	90	90	484	72

LED Manufacturer: Luminus

LED Type: COB

LED Model: CXM-4 Gen 4

Optic: Reflector

Beam Angle (°): 17/24/36

Electrical Information

System Power (w): 5.4

Input Voltage (v) & Frequency: 48V 50/60Hz

Output Voltage (v): 31-37

Current (mA): 150

Non-Dimmable: RiO 06FLE15-RXY04

Efficiency (%): 90

Dimmable: 1-10V Dimming – Upon Request

Dali Dimming – Upon Request