

PRODUCT DATASHEET

Model: LDL736

Category: LED Adjustable Downlight

Description: 17w LED Adjustable Downlight



General Information

Material: Aluminum

Fitting Colors: White/ Black/ Painted Silver

Rotation Angle (degree): 355

Tilting Angle (degree): 45

Track System: Not Applicable

IP Rating: 20

Working Temperature (°C): -5 - +35

Storage Temperature (°C): -20 - +50



Product Dimensions and Cut-out Information

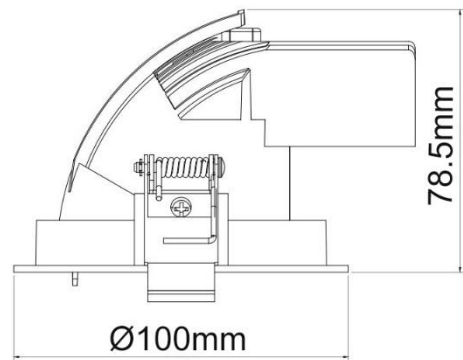
Fitting Length (mm): Not Applicable

Diameter (mm): 100

Height (mm): 78.5

Cut-out Dimension (mm): 89

Dimension:



Packing Information

Packaging Type: Individual box

Quantity per carton: 20

CBM per carton: 0.046

Gross weight per carton (kgs): 11

Lifespan

Lifetime (hours): 50000

Luminous Flux after 50000hours (lm): LM80 Comply

PRODUCT DATASHEET

Model: LDL736

Category: LED Adjustable Downlight

Description: 17w LED Adjustable Downlight



Light Technical Information

Color Temperature	CRI (Ra)	Gamut Index (GAI)	System Lumen	Lumen per Watt
2700	90	90	1381	73
2700	95	100	1321	70
3000	90	90	1490	78
3000	95	100	1390	73
3000 Vivid White	90	110	1147	60
4000	90	90	1599	84
4000	95	100	1480	78
5000	80	90	1858	98
5000	90	90	1609	85

LED Manufacturer: Luminus

LED Type: COB

LED Model: CXM-9 Gen 3

Optic: Reflector

Beam Angle (°): 15/25/38/55

Electrical Information

System Power (w): 19

Input Voltage (v) & Frequency: 220-240V 50/60Hz

Output Voltage (v): 31-37

Current (mA): 500

Non-Dimmable: Tridonic LC 25W 350-600mA flexC SC ADV

Power Factor: 0.95

Efficiency (%): 88

Total Harmonic Distortion (%): <10

Ripple (%): 7.5

Dimmable: Triac Dimming – Upon Request

1-10V Dimming – Upon Request

Dali Dimming – Upon Request