

PRODUCT DATASHEET

Model: LDL926

Category: LED Recessed Downlight

Description: 25w LED Recessed Downlight



General Information

Material: Aluminum

Fitting Colors: Matte White/ Black/ Satin Silver

Rotation Angle (degree): Not Applicable

Tilting Angle (degree): Not Applicable

Track System: Not Applicable

IP Rating: 20

Working Temperature (°C): -5 - +35

Storage Temperature (°C): -20 - +50



Product Dimensions and Cut-out Information

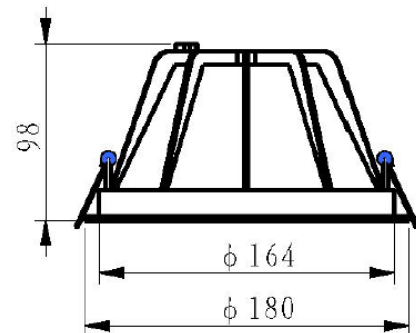
Fitting Length (mm): Not Applicable

Diameter (mm): 180

Height (mm): 98

Cut-out Dimension (mm): 168

Dimension:



Lifespan

Lifetime (hours): 30000

Luminous Flux after 50000hours (lm): LM80 Comply

Accessories



PRODUCT DATASHEET

Model: LDL926

Category: LED Recessed Downlight

Description: 25w LED Recessed Downlight



Light Technical Information

Color Temperature	CRI (Ra)	Gamut Index (GAI)	System Lumen	Lumen per Watt
2700	90	90	2222	79
2700	95	100	2122	76
3000	90	90	2390	85
3000	95	100	2234	80
3000 Vivid White	90	110	2271	81
4000	90	90	2577	92
4000	95	100	2377	85
5000	80	90	2989	107
5000	90	90	2590	93

LED Manufacturer: Luminus

LED Type: COB

LED Model: CXM-11 Gen 3

Optic: Lens

Beam Angle (°): 40/50/60

Electrical Information

System Power (w): 28

Input Voltage (v) & Frequency: 220-240V 50/60Hz

Output Voltage (v): 31-37

Current (mA): 500

Non-Dimmable: RIO 30W 700mA

Power Factor: 0.95

Efficiency (%): 88

Total Harmonic Distortion (%): <10

Ripple (%): 5

Dimmable: Triac Dimming – Upon Request

1-10V Dimming – Upon Request

Dali Dimming – Upon Request