

PRODUCT DATASHEET

Model: LDL925

Category: LED Recessed Downlight

Description: 17w LED Recessed Downlight



General Information

Material: Aluminum

Fitting Colors: Matte White/ Black/ Satin Silver

Rotation Angle (degree): Not Applicable

Tilting Angle (degree): Not Applicable

Track System: Not Applicable

IP Rating: 20

Working Temperature (°C): -5 - +35

Storage Temperature (°C): -20 - +50



Product Dimensions and Cut-out Information

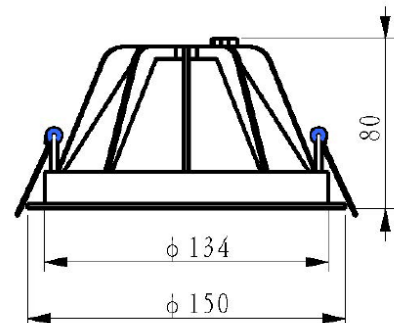
Fitting Length (mm): Not Applicable

Diameter (mm): 150

Height (mm): 80

Cut-out Dimension (mm): 138

Dimension:



Lifespan

Lifetime (hours): 50000

Luminous Flux after 50000hours (lm): LM80 Comply

Accessories



PRODUCT DATASHEET

Model: LDL925

Category: LED Recessed Downlight

Description: 17w LED Recessed Downlight



Light Technical Information

Color Temperature	CRI (Ra)	Gamut Index (GAI)	System Lumen	Lumen per Watt
2700	90	90	1583	83
2700	95	100	1515	80
3000	90	90	1709	90
3000	95	100	1595	94
3000 Vivid White	90	110	1315	69
4000	90	90	1833	96
4000	95	100	1697	89
5000	80	90	2129	112
5000	90	90	1845	97

LED Manufacturer: Luminus

LED Type: COB

LED Model: CXM-9 Gen 3

Optic: Lens

Beam Angle (°): 20/30/50/60

Electrical Information

System Power (w): 19

Input Voltage (v) & Frequency: 220-240V 50/60Hz

Output Voltage (v): 31-37

Current (mA): 500

Non-Dimmable: Tridonic LC 21W 500mA fixC SC ADV2

Power Factor: 0.95

Efficiency (%): 88

Total Harmonic Distortion (%): <15

Ripple (%): 5

Dimmable: Triac Dimming – Upon Request

1-10V Dimming – Upon Request

Dali Dimming – Upon Request