

PRODUCT DATASHEET

Model: LDL269

Category: LED Adjustable Downlight

Description: 12w LED Adjustable Downlight



General Information

Material: Aluminum

Fitting Colors: White/ Black/ Painted Silver

Rotation Angle (degree): Not Applicable

Tilting Angle (degree): 30

Track System: Not Applicable

IP Rating: 20

Working Temperature (°C): -5 - +35

Storage Temperature (°C): -20 - +50

Approval: CB



Product Dimensions and Cut-out Information

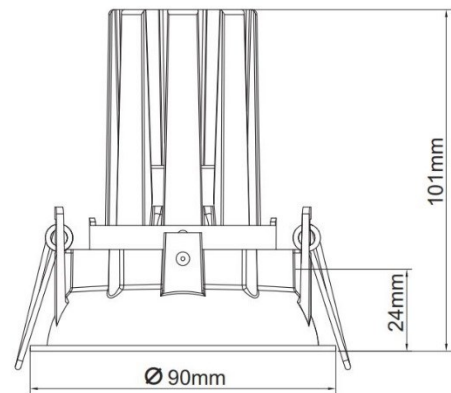
Fitting Length (mm): Not Applicable

Diameter (mm): 90

Height (mm): 101

Cut-out Dimension (mm): 80

Dimension:



Packing Information

Packaging Type: Individual box

Quantity per carton: 45

CBM per carton: 0.0547

Gross weight per carton (kgs): 10.4

Lifespan

Lifetime (hours): 50000

Luminous Flux after 50000hours (lm): LM80 Comply

PRODUCT DATASHEET

Model: LDL269

Category: LED Adjustable Downlight

Description: 12w LED Adjustable Downlight



Light Technical Information

Color Temperature	CRI (Ra)	Gamut Index (GAI)	System Lumen	Lumen per Watt
2700	90	90	1134	81
2700	95	100	1080	77
3000	90	90	1217	87
3000	95	100	1140	81
3000 Vivid White	90	110	1158	83
4000	90	90	1217	87
4000	95	100	1211	87
5000	80	90	1522	109
5000	90	90	1318	94

LED Manufacturer: Luminus

LED Type: COB

LED Model: CXM-6 Gen 3

Optic: Reflector

Beam Angle (°): 20/38/55

Electrical Information

System Power (w): 11

Input Voltage (v) & Frequency: 220-240V 50/60Hz

Output Voltage (v): 15.5-18.5

Current (mA): 350

Non-Dimmable: Tridonic LC 15W 350mA fixC SC ADV

Power Factor: 0.9

Efficiency (%): 83

Total Harmonic Distortion (%): <15

Ripple (%): ±15

Dimmable: Triac Dimming – Upon Request

1-10V Dimming – Upon Request

Dali Dimming – Upon Request