

PRODUCT DATASHEET

Model: LDL257

Category: LED Adjustable Downlight

Description: 12w LED Adjustable Downlight



General Information

Material: Aluminum

Fitting Colors: White/ Black/ Painted Silver

Rotation Angle (degree): Not Applicable

Tilting Angle (degree): 30

Track System: Not Applicable

IP Rating: 20

Working Temperature (°C): -5 - +35

Storage Temperature (°C): -20 - +50



Product Dimensions and Cut-out Information

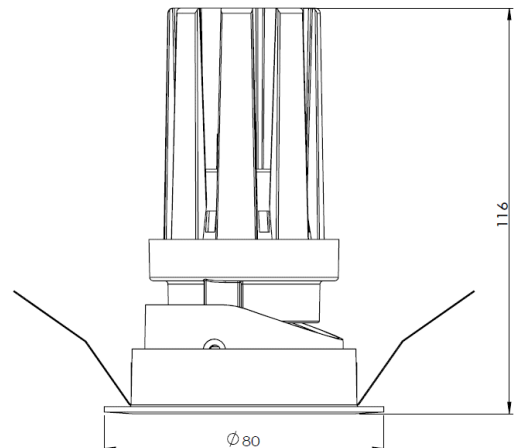
Fitting Length (mm): Not Applicable

Diameter (mm): 80

Height (mm): 116

Cut-out Dimension (mm): 68

Dimension:



Lifespan

Lifetime (hours): 50000

Luminous Flux after 50000hours (lm): LM80 Comply

PRODUCT DATASHEET

Model: LDL257

Category: LED Adjustable Downlight

Description: 12w LED Adjustable Downlight



Light Technical Information

Color Temperature	CRI (Ra)	Gamut Index (GAI)	System Lumen	Lumen per Watt
2700	90	90	888	63
2700	95	100	846	60
3000	90	90	954	68
3000	95	100	893	64
4000	90	90	1028	73
4000	95	100	954	68
5000	80	90	1192	85
5000	90	90	1033	74

LED Manufacturer: Luminus

LED Type: COB

LED Model: CLM-9 Gen 3

Optic: Reflector

Beam Angle (°): 20/38/55

Electrical Information

System Power (w): 14

Input Voltage (v) & Frequency: 220-240V 50/60Hz

Output Voltage (v): 31-37

Current (mA): 350

Non-Dimmable: LC 15W 350mA fixC SC ADV

Power Factor: 0.9

Efficiency (%): 83

Total Harmonic Distortion (%): <15

Ripple (%): 15

Dimmable: Triac Dimming – Upon Request

1-10V Dimming – Upon Request

Dali Dimming – Upon Request