

# PRODUCT DATASHEET

## Model: LDL341

Category: LED Adjustable Downlight

Description: 7w LED Adjustable Downlight



## General Information

Material: Aluminum

Fitting Colors: White/ Black/ Satin Silver

Rotation Angle (degree): Not Applicable

Tilting Angle (degree): 30

Track System: Not Applicable

IP Rating: 20

Working Temperature (°C): -5 - +35

Storage Temperature (°C): -20 - +50



## Product Dimensions and Cut-out Information

Fitting Length (mm): Not Applicable

Diameter (mm): 64

Height (mm): 93

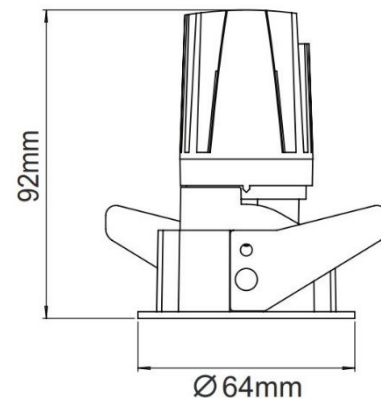
Cut-out Dimension (mm): 55

## Lifespan

Lifetime (hours): 50000

Luminous Flux after 50000hours (lm): LM80 Comply

Dimension:



# PRODUCT DATASHEET

## Model: LDL341

Category: LED Adjustable Downlight

Description: 7w LED Adjustable Downlight



## Light Technical Information

Color Temperature	CRI (Ra)	Gamut Index (GAI)	System Lumen	Lumen per Watt
2700	90	90	412	46
2700	95	100	393	44
3000	90	90	443	49
3000	95	100	408	45
4000	90	90	428	48
4000	95	100	469	52
5000	80	90	559	62
5000	90	90	474	53

LED Manufacturer: Luminus

LED Type: COB

LED Model: CXM-4 Gen 4

Optic: Reflector

Beam Angle (°): 15/24/36

## Electrical Information

System Power (w): 9

Input Voltage (v) & Frequency: 100-240V 50/60Hz

Output Voltage (v): 31-37

Current (mA): 200

Non-Dimmable: HEP LIC9W200-Z

Power Factor: 0.9

Efficiency (%): 80

Total Harmonic Distortion (%): 20

Dimmable: Dali Dimming – Upon Request