

PRODUCT DATASHEET

Model: LDL341

Category: LED Adjustable Downlight

Description: 5w LED Adjustable Downlight



General Information

Material: Aluminum

Fitting Colors: White/ Black/ Satin Silver

Rotation Angle (degree): Not Applicable

Tilting Angle (degree): 30

Track System: Not Applicable

IP Rating: 20

Working Temperature (°C): -5 - +35

Storage Temperature (°C): -20 - +50



Product Dimensions and Cut-out Information

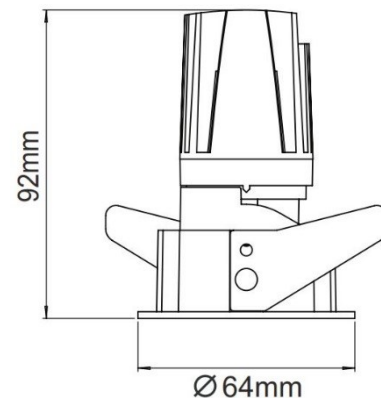
Fitting Length (mm): Not Applicable

Diameter (mm): 64

Height (mm): 93

Cut-out Dimension (mm): 55

Dimension:



Lifespan

Lifetime (hours): 50000

Luminous Flux after 50000hours (lm): LM80 Comply

PRODUCT DATASHEET

Model: LDL341

Category: LED Adjustable Downlight

Description: 5w LED Adjustable Downlight



Light Technical Information

Color Temperature	CRI (Ra)	Gamut Index (GAI)	System Lumen	Lumen per Watt
2700	90	90	332	55
2700	95	100	310	52
3000	90	90	350	58
3000	95	100	322	54
4000	90	90	371	62
4000	95	100	338	56
5000	80	90	375	63
5000	90	90	325	54

LED Manufacturer: Luminus

LED Type: COB

LED Model: CXM-4 Gen 4

Optic: Reflector

Beam Angle (°): 15/24/36

Electrical Information

System Power (w): 6

Input Voltage (v) & Frequency: 220-240V 50/60Hz

Output Voltage (v): 31-37

Current (mA): 150

Non-Dimmable: Osram OT FIT 8/220-240/18 CS I MINI

Power Factor: 0.5

Efficiency (%): 86

Total Harmonic Distortion (%): <15

Ripple (%): <3

Dimmable: Dali Dimming – Upon Request