

PRODUCT DATASHEET

Model: LMT110

Category: LED Magnetic Spot Light

Description: 20w LED Magnetic Spot Light



General Information

Material: Aluminum + Iron

Fitting Colors: Matte White/ Black

Rotation Angle (degree): 355

Tilting Angle (degree): 90

Track System: Magnetic Track

IP Rating: 20

Working Temperature (°C): -20 - +32

Storage Temperature (°C): -20 - +50



Product Dimensions and Cut-out Information

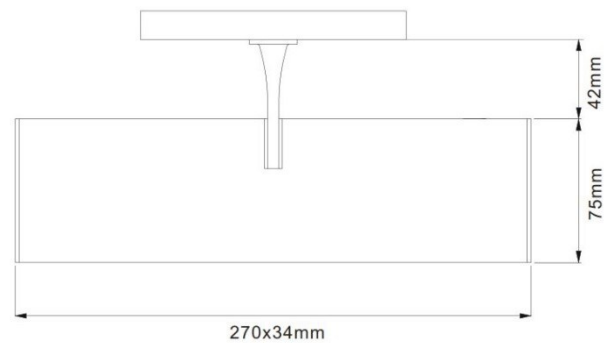
Fitting Length (mm): 75

Diameter (mm): 270 x 34

Height (mm): Not Applicable

Cut-out Dimension (mm): Not Applicable

Dimension:



Packing Information

Packaging Type: Individual box

Quantity per carton: 15

CBM per carton: 0.048

Gross weight per carton (kgs): 10.6

Lifespan

Lifetime (hours): 50000

Luminous Flux after 50000hours (lm): LM80 Comply

PRODUCT DATASHEET

Model: LMT110

Category: LED Magnetic Spot Light

Description: 20w LED Magnetic Spot Light



Light Technical Information

Color Temperature	CRI (Ra)	System Lumen	Lumen per Watt
2700	95	1643	75
3000	95	1777	81
4000	95	2045	93

LED Manufacturer: Luminus

LED Type: SMD

LED Model: SST-20

Optic: Reflector

Beam Angle (°): 15/30/45

Electrical Information

System Power (w): 22

Input Voltage (v) & Frequency: 220-240V 50/60Hz

Output Voltage (v): 34.4 – 37.6

Current (mA): 500

Non-Dimmable: Tridonic LMI 48V 350-700mA 20-42V FO Slim

Efficiency (%): 93

Ripple (%): 8

Dimmable: Triac Dimming – Upon Request

Dali Dimming – Upon Request