

PRODUCT DATASHEET

Model: LDL742

Category: LED Adjustable Recessed Down light

Description: 26w LED Adjustable Recessed Down light with 1-10V dimming



General Information

Material: Aluminum

Fitting Colors: Matte White

Rotation Angle (degree): 355

Tilting Angle (degree): 90

Track System: Not Applicable

IP Rating: 20

Working Temperature (°C): -5 - +35

Storage Temperature (°C): -20 - +50



Product Dimensions and Cut-out Information

Fitting Length (mm): 217

Diameter (mm): 75

Height (mm): Not Applicable

Cut-out Dimension (mm): Not Applicable

Packing Information

Packaging Type: Individual box

Quantity per carton: 30

CBM per carton: 0.03

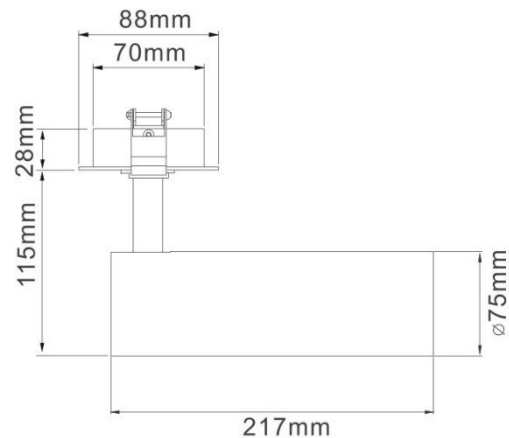
Gross weight per carton (kgs): 10

Lifespan

Lifetime (hours): 30000

Luminous Flux after 50000hours (lm): LM80 Comply

Dimension:



PRODUCT DATASHEET

Model: LDL742

Category: LED Adjustable Recessed Down light

Description: 26w LED Adjustable Recessed Down light with 1-10V dimming



Light Technical Information

Color Temperature	CRI (Ra)	Gamut Index (GAI)	System Lumen	Lumen per Watt
2700	90	90	1887	63
2700	95	100	1805	60
3000	90	90	2038	68
3000	95	100	1900	63
3000 Vivid White	90	110	1936	65
4000	90	90	2186	73
4000	95	100	2023	67
5000	80	90	2539	85
5000	90	90	2199	73

LED Manufacturer: Luminus

LED Type: COB

LED Model: CXM-9 Gen 3

Optic: Reflector

Beam Angle (°): 17/24/36

Electrical Information

System Power (w): 30

Input Voltage (v) & Frequency: 220-240V 50/60Hz

Output Voltage (v): 31-37

Current (mA): 700

1-10V dimming: RiO RD026SPF08-RXY-RIO

Power Factor: 0.93

Efficiency (%): 88

Total Harmonic Distortion (%): 15

Dimmable: Triac Dimming – Upon Request

Dali Dimming – Upon Request