

# PRODUCT DATASHEET

## Model: LDL740

Category: LED Adjustable Recessed Down Light

Description: 13w LED Adjustable Recessed Down Light



## General Information

Material: Aluminum

Fitting Colors: White/ Black

Rotation Angle (degree): 350

Tilting Angle (degree): 90

Track System: Not Applicable

IP Rating: 20

Working Temperature (°C): -5 - +35

Storage Temperature (°C): -20 - +50



## Product Dimensions and Cut-out Information

Fitting Length (mm): 196

Diameter (mm): 52

Height (mm): Not Applicable

Cut-out Dimension (mm): 75

## Packing Information

Packaging Type: Individual box

Quantity per carton: 10

CBM per carton: 0.032

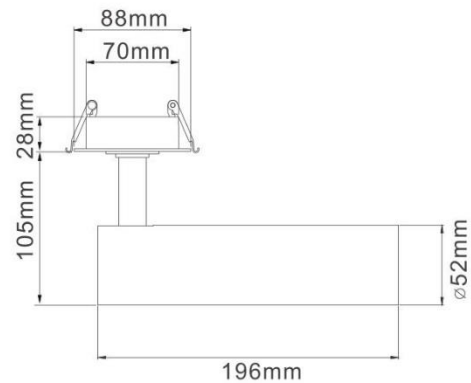
Gross weight per carton (kgs): 8.2

## Lifespan

Lifetime (hours): 50000

Luminous Flux after 50000hours (lm): LM80 Comply

Dimension:



# PRODUCT DATASHEET

## Model: LDL740

Category: LED Adjustable Recessed Down Light

Description: 13w LED Adjustable Recessed Down Light



## Light Technical Information

Color Temperature	CRI (Ra)	Gamut Index (GAI)	System Lumen	Lumen per Watt
2700	90	90	877	58
2700	95	100	839	56
3000	90	90	943	63
3000	95	100	886	59
3000 Vivid White	90	110	838	56
4000	90	90	1018	68
4000	95	100	943	63
5000	80	90	1179	79
5000	90	90	1018	68

LED Manufacturer: Luminus

LED Type: COB

LED Model: CXM-6 Gen 4

Optic: Reflector

Beam Angle (°): 17/24/36

## Electrical Information

System Power (w): 15

Input Voltage (v) & Frequency: 220-240V 50/60Hz

Output Voltage (v): 31-37

Current (mA): 350

Non-Dimmable: Tridonic LC 25W 350-600mA flexC SC ADV

Power Factor: 0.95

Efficiency (%): 88

Total Harmonic Distortion (%): <10

Ripple (%): ±5

Dimmable: Triac Dimming – Upon Request

1-10V Dimming – Upon Request

Dali Dimming – Upon Request