

PRODUCT DATASHEET

Model: LDL740

Category: LED Adjustable Recessed Down Light

Description: 13w LED Adjustable Recessed Down Light with 1-10V dimming



General Information

Material: Aluminum

Fitting Colors: White/ Black

Rotation Angle (degree): 350

Tilting Angle (degree): 90

Track System: Not Applicable

IP Rating: 20

Working Temperature (°C): -5 - +35

Storage Temperature (°C): -20 - +50



Product Dimensions and Cut-out Information

Fitting Length (mm): 196

Diameter (mm): 52

Height (mm): Not Applicable

Cut-out Dimension (mm): 75

Packing Information

Packaging Type: Individual box

Quantity per carton: 10

CBM per carton: 0.032

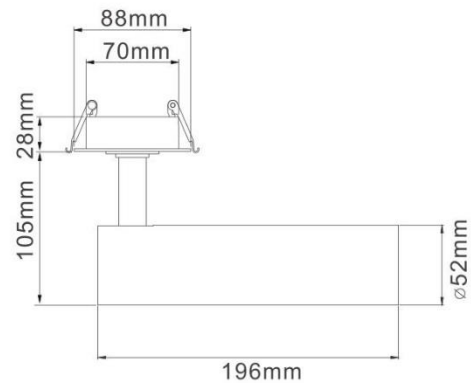
Gross weight per carton (kgs): 8.2

Lifespan

Lifetime (hours): 50000

Luminous Flux after 50000hours (lm): LM80 Comply

Dimension:



PRODUCT DATASHEET

Model: LDL740

Category: LED Adjustable Recessed Down Light

Description: 13w LED Adjustable Recessed Down Light with 1-10V dimming



Light Technical Information

Color Temperature	CRI (Ra)	Gamut Index (GAI)	System Lumen	Lumen per Watt
2700	90	90	877	55
2700	95	100	839	52
3000	90	90	943	59
3000	95	100	886	55
3000 Vivid White	90	110	838	52
4000	90	90	1018	64
4000	95	100	943	59
5000	80	90	1179	74
5000	90	90	1018	64

LED Manufacturer: Luminus

LED Type: COB

LED Model: CXM-6 Gen 4

Optic: Reflector

Beam Angle (°): 17/24/36

Electrical Information

System Power (w): 16

Input Voltage (v) & Frequency: 220-240V 50/60Hz

Output Voltage (v): 31-37

Current (mA): 350

1-10V dimming: HEP LBC20W350-1CZ UNI

Power Factor: 0.9

Efficiency (%): 80

Total Harmonic Distortion (%): 20

Ripple (%): 40

Dimmable: Triac Dimming – Upon Request

Dali Dimming – Upon Request