

# PRODUCT DATASHEET

Model: LDL455  
Category: LED Adjustable Downlight  
Description: 17w LED Adjustable Downlight



## General Information

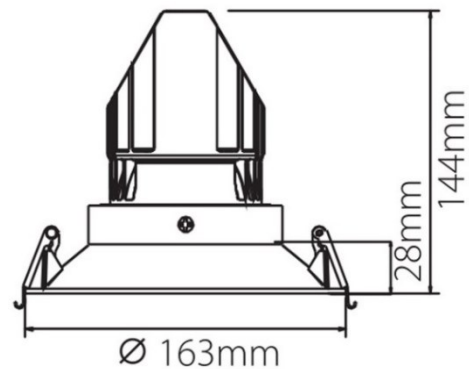
Material: Aluminium  
Fitting Colors: White/ Black/ Painted Silver  
Rotation Angle (degree): Not Applicable  
Tilting Angle (degree): 30  
Track System: Not Applicable  
IP Rating: 20  
Working Temperature (°C): -5 - +35  
Storage Temperature (°C): -20 - +50



## Product Dimensions and Cut-out Information

Fitting Length (mm): Not Applicable  
Diameter (mm): 163  
Height (mm): 144  
Cut-out Dimension (mm): 150

Dimension:



## Packing Information

Packaging Type: Individual box  
Quantity per carton: 12  
CBM per carton: 0.0369  
Gross weight per carton (kgs): 11.5

## Lifespan

Lifetime (hours): 30000  
Luminous Flux after 50000hours (lm): LM80 Comply

# PRODUCT DATASHEET

Model: LDL455  
Category: LED Adjustable Downlight  
Description: 17w LED Adjustable Downlight



## Light Technical Information

Color Temperature	CRI (Ra)	Gamut Index (GAI)	System Lumen	Lumen per Watt
2700	90	90	1710	90
2700	95	100	1634	86
3000	90	90	1844	97
3000	95	100	1722	91
3000 Vivid White	90	110	1753	92
4000	95	100	1837	97
5000	80	90	Not Applicable	Not Applicable
5000	90	90	1993	105

LED Manufacturer: Luminus

LED Type: COB

LED Model: CXM-14 Gen 3

Optic: Reflector

Beam Angle (°): 14/24/40/60

## Electrical Information

System Power (w): 19

Input Voltage (v) & Frequency: 220-240V 50/60Hz

Output Voltage (v): 31-37

Current (mA): 500

Non-Dimmable: RiO Non-dimmable Driver

Power Factor: 0.9

Efficiency (%):76

Total Harmonic Distortion (%): <30

Ripple (%): Not Applicable

Dimmable: Triac Dimming – Upon Request

1-10V Dimming – Upon Request

Dali Dimming – Upon Request