

PRODUCT DATASHEET

Model: LDL451

Category: LED Downlight

Description: 16w LED Downlight



General Information

Material: Aluminium

Fitting Colors: White/ Black/ Painted Silver

Rotation Angle (degree): Not Applicable

Tilting Angle (degree): Not Applicable

Track System: Not Applicable

IP Rating: 20

Working Temperature (°C): -5 - +35

Storage Temperature (°C): -20 - +50



Product Dimensions and Cut-out Information

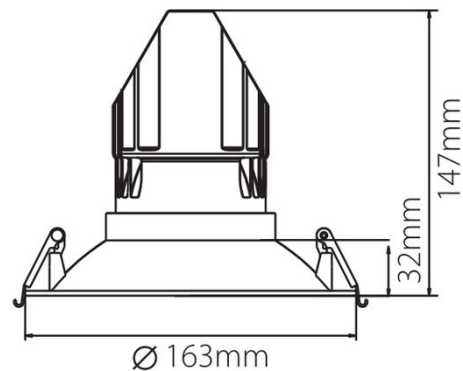
Fitting Length (mm): Not Applicable

Diameter (mm): 163

Height (mm): 147

Cut-out Dimension (mm): 150

Dimension:



Packing Information

Packaging Type: Individual box

Quantity per carton: 6

CBM per carton: 0.0875

Gross weight per carton (kgs): 10.7

Lifespan

Lifetime (hours): 30000

Luminous Flux after 50000hours (lm): LM80 Comply

PRODUCT DATASHEET

Model: LDL451

Category: LED Downlight

Description: 16w LED Downlight



Light Technical Information

Color Temperature	CRI (Ra)	Gamut Index (GAI)	System Lumen	Lumen per Watt
2700	90	90	1760	98
2700	95	100	1684	94
3000	90	90	1900	106
3000	95	100	1772	98
3000 Vivid White	90	110	1804	100
4000	95	100	1887	105
5000	80	90	Not Applicable	Not Applicable
5000	90	90	2044	114

LED Manufacturer: Luminus

LED Type: COB

LED Model: CXM-18 G3

Optic: Reflector

Beam Angle (°): 17/24/40/60

Electrical Information

System Power (w): 18

Input Voltage (v) & Frequency: 220-240V 50/60Hz

Output Voltage (v): 31-37

Current (mA): 500

Non-Dimmable: RiO Non-dimmable Driver

Power Factor: 0.9

Efficiency (%): 76

Total Harmonic Distortion (%): <30

Ripple (%): Not Applicable

Dimmable: Triac Dimming – Upon Request

1-10V Dimming – Upon Request

Dali Dimming – Upon Request