

PRODUCT DATASHEET

Model: LDL420

Category: LED Downlight

Description: 31w LED Downlight



General Information

Material: Aluminium

Fitting Colors: White/ Black/ Painted Silver

Rotation Angle (degree): Not Applicable

Tilting Angle (degree): 30

Track System: Not Applicable

IP Rating: 20

Working Temperature (°C): -5 - +35

Storage Temperature (°C): -20 - +50



Product Dimensions and Cut-out Information

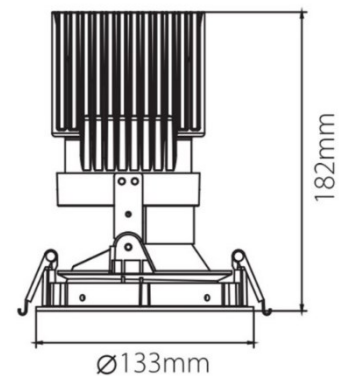
Fitting Length (mm): Not Applicable

Diameter (mm): 133

Height (mm): 182

Cut-out Dimension (mm): 125

Dimension:



Packing Information

Packaging Type: Individual box

Quantity per carton: Not Applicable

CBM per carton: Not Applicable

Gross weight per carton (kgs): Not Applicable

Lifespan

Lifetime (hours): 50000

Luminous Flux after 50000hours (lm): LM80 Comply

PRODUCT DATASHEET

Model: LDL420

Category: LED Downlight

Description: 31w LED Downlight



Light Technical Information

Color Temperature	CRI (Ra)	Gamut Index (GAI)	System Lumen	Lumen per Watt
2700	90	90	2420	69
2700	95	100	2312	66
3000	90	90	2609	75
3000	95	100	2437	70
3000 Vivid White	90	110	2459	70
4000	95	100	2596	74
5000	90	90	2820	81

LED Manufacturer: Luminus

LED Type: COB

LED Model: CXM-14 Gen 3

Optic: Reflector

Beam Angle (°): 17/24/40

Electrical Information

System Power (w): 35

Input Voltage (v) & Frequency: 220-240V 50/60Hz

Output Voltage (v): 31-37

Current (mA): 900