

PRODUCT DATASHEET

Model: LDL266

Category: LED Downlight

Description: 7w LED Downlight



General Information

Material: Aluminium

Fitting Colors: White/ Black/ Painted Silver

Rotation Angle (degree): Not Applicable

Tilting Angle (degree): Not Applicable

Track System: Not Applicable

IP Rating: Not Applicable

Working Temperature (°C): -5 - +35

Storage Temperature (°C): -20 - +50



Product Dimensions and Cut-out Information

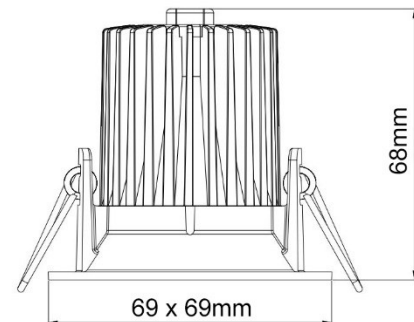
Fitting Length (mm): Not Applicable

Diameter (mm): 69 x 69

Height (mm): 80

Cut-out Dimension (mm): 61 x 61

Dimension:



Packing Information

Packaging Type: Individual box

Quantity per carton: 45

CBM per carton: 0.0547

Gross weight per carton (kgs): 10.4

Lifespan

Lifetime (hours): 30000

Luminous Flux after 50000hours (lm): LM80 Comply

PRODUCT DATASHEET

Model: LDL266

Category: LED Downlight

Description: 7w LED Downlight



Light Technical Information

| Color Temperature | CRI (Ra) | Gamut Index (GAI) | System Lumen | Lumen per Watt |
|-------------------|----------|-------------------|----------------|----------------|
| 2700 | 90 | 90 | 546 | 68 |
| 2700 | 95 | 100 | 512 | 64 |
| 3000 | 90 | 90 | 575 | 72 |
| 3000 | 95 | 100 | 536 | 76 |
| 3000 Vivid White | 90 | 110 | Not Applicable | Not Applicable |
| 4000 | 90 | 90 | 619 | 77 |
| 5000 | 95 | 100 | 570 | 71 |
| 5000 | 80 | 90 | 716 | 90 |

LED Manufacturer: Luminus

LED Type: COB

LED Model: CXM-6 Gen 3

Optic: Reflector

Beam Angle (°): 20/38/55

Electrical Information

System Power (w): 8

Input Voltage (v) & Frequency: 220-240V 50/60Hz

Output Voltage (v): 15.5-18.5

Current (mA): 350

Non-Dimmable: RiO Non-dimmable Driver

Power Factor: 0.9

Efficiency (%): 76

Total Harmonic Distortion (%): <30

Ripple (%): Not Applicable

Dimmable: Triac Dimming – Upon Request

1-10V Dimming – Upon Request

Dali Dimming – Upon Request