

# PRODUCT DATASHEET

## Model: LDG902

Category: LED Adjustable Downlight

Description: 23w LED Adjustable Downlight



## General Information

Material: Aluminium

Fitting Colors: White/ Black/ Painted Silver

Rotation Angle (degree): Not Applicable

Tilting Angle (degree): 30

Track System: Not Applicable

IP Rating: 20

Working Temperature (°C): -5 - +35

Storage Temperature (°C): -20 - +50



## Product Dimensions and Cut-out Information

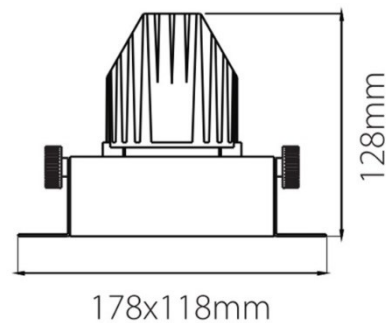
Fitting Length (mm): Not Applicable

Diameter (mm): 178 x 118

Height (mm): 128

Cut-out Dimension (mm): 120 x 120

Dimension:



## Packing Information

Packaging Type: Individual box

Quantity per carton: 12

CBM per carton: 0.0570

Gross weight per carton (kgs): 16.8

## Lifespan

Lifetime (hours): 50000

Luminous Flux after 50000hours (lm): LM80 Comply

# PRODUCT DATASHEET

## Model: LDG902

Category: LED Adjustable Downlight

Description: 23w LED Adjustable Downlight



## Light Technical Information

| Color Temperature | CRI (Ra) | Gamut Index (GAI) | System Lumen   | Lumen per Watt |
|-------------------|----------|-------------------|----------------|----------------|
| 2700              | 90       | 90                | 2420           | 93             |
| 2700              | 95       | 100               | 2316           | 89             |
| 3000              | 90       | 90                | 2613           | 100            |
| 3000              | 95       | 100               | 2437           | 94             |
| 3000 Vivid White  | 90       | 110               | 2481           | 95             |
| 4000              | 95       | 100               | 2414           | 93             |
| 5000              | 80       | 90                | Not Applicable | Not Applicable |
| 5000              | 90       | 90                | 2825           | 109            |

LED Manufacturer: Luminus

LED Type: COB

LED Model: CXM-18 Gen 3

Optic: Reflector

Beam Angle (°): 17/24/40/60

## Electrical Information

System Power (w): 26

Input Voltage (v) & Frequency: 220-240V 50/60Hz

Output Voltage (v): 31-37

Current (mA): 700

Non-Dimmable: Tridonic LC 30W 700mA fixC SC ADV

Power Factor: 0.95

Efficiency (%): 88

Total Harmonic Distortion (%): <20

Ripple (%): ±5

Dimmable: Triac Dimming – Upon Request

1-10V Dimming – Upon Request

Dali Dimming – Upon Request