

PRODUCT DATASHEET

Model: LDG902

Category: LED Adjustable Downlight

Description: 16w LED Adjustable Downlight



General Information

Material: Aluminium

Fitting Colors: White/ Black/ Painted Silver

Rotation Angle (degree): Not Applicable

Tilting Angle (degree): 30

Track System: Not Applicable

IP Rating: 20

Working Temperature (°C): -5 - +35

Storage Temperature (°C): -20 - +50



Product Dimensions and Cut-out Information

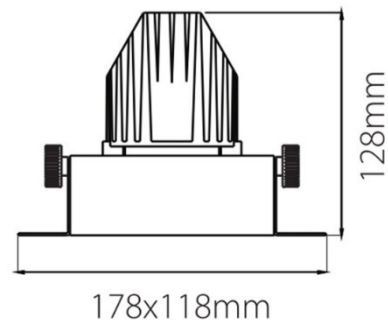
Fitting Length (mm): Not Applicable

Diameter (mm): 178 x 118

Height (mm): 128

Cut-out Dimension (mm): 120 x 120

Dimension:



Packing Information

Packaging Type: Individual box

Quantity per carton: 12

CBM per carton: 0.0570

Gross weight per carton (kgs): 16.8

Lifespan

Lifetime (hours): 50000

Luminous Flux after 50000hours (lm): LM80 Comply

PRODUCT DATASHEET

Model: LDG902

Category: LED Adjustable Downlight

Description: 16w LED Adjustable Downlight



Light Technical Information

| Color Temperature | CRI (Ra) | Gamut Index (GAI) | System Lumen | Lumen per Watt |
|-------------------|----------|-------------------|----------------|----------------|
| 2700 | 90 | 90 | 1760 | 98 |
| 2700 | 95 | 100 | 1684 | 94 |
| 3000 | 90 | 90 | 1900 | 106 |
| 3000 | 95 | 100 | 1772 | 98 |
| 3000 Vivid White | 90 | 110 | 1804 | 100 |
| 4000 | 95 | 100 | 1887 | 105 |
| 5000 | 80 | 90 | Not Applicable | Not Applicable |
| 5000 | 90 | 90 | 2044 | 114 |

LED Manufacturer: Luminus

LED Type: COB

LED Model: CXM-18 Gen 3

Optic: Reflector

Beam Angle (°): 17/24/40/60

Electrical Information

System Power (w): 18

Input Voltage (v) & Frequency: 220-240V 50/60Hz

Output Voltage (v): 31-37

Current (mA): 500