

PRODUCT DATASHEET

Model: LDG805

Category: LED Adjustable Downlight

Description: 9w LED Adjustable Downlight



General Information

Material: Aluminium

Fitting Colors: White/ Black/ Painted Silver

Rotation Angle (degree): Not Applicable

Tilting Angle (degree): 30

Track System: Not Applicable

IP Rating: 20

Working Temperature (°C): -5 - +35

Storage Temperature (°C): -20 - +50



Product Dimensions and Cut-out Information

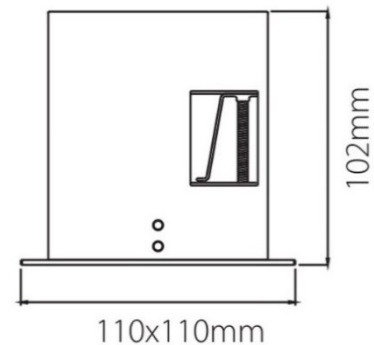
Fitting Length (mm): Not Applicable

Diameter (mm): 110 x 110

Height (mm): 102

Cut-out Dimension (mm): 95 x 95

Dimension:



Packing Information

Packaging Type: Individual box

Quantity per carton: 12

CBM per carton: 0.0457

Gross weight per carton (kgs): 10.3

Lifespan

Lifetime (hours): 50000

Luminous Flux after 50000hours (lm): LM80 Comply

PRODUCT DATASHEET

Model: LDG805

Category: LED Adjustable Downlight

Description: 9w LED Adjustable Downlight



Light Technical Information

Color Temperature	CRI (Ra)	Gamut Index (GAI)	System Lumen	Lumen per Watt
2700	90	90	738	67
2700	95	100	692	63
3000	90	90	777	71
3000	95	100	724	66
3000 Vivid White	90	110	Not Applicable	Not Applicable
4000	90	90	836	76
4000	95	100	771	70
5000	80	90	Not Applicable	Not Applicable

LED Manufacturer: Luminus

LED Type: COB

LED Model: CXM-6 G3

Optic: Reflector

Beam Angle (°): 20/38/55

Electrical Information

System Power (w): 11

Input Voltage (v) & Frequency: 220-240V 50/60Hz

Output Voltage (v): 15.5-18.5

Current (mA): 500

Non-Dimmable: RiO Non-dimmable Driver

Power Factor: 0.9

Efficiency (%):

Total Harmonic Distortion:

Ripple (%):

Dimmable: Triac Dimming – Upon Request

1-10V Dimming – Upon Request

Dali Dimming – Upon Request