

PRODUCT DATASHEET

Model: LDG805

Category: LED Adjustable Downlight

Description: 9w LED Adjustable Downlight



General Information

Material: Aluminium

Fitting Colors: White/ Black/ Painted Silver

Rotation Angle (degree): Not Applicable

Tilting Angle (degree): 30

Track System: Not Applicable

IP Rating: 20

Working Temperature (°C): -5 - +35

Storage Temperature (°C): -20 - +50



Product Dimensions and Cut-out Information

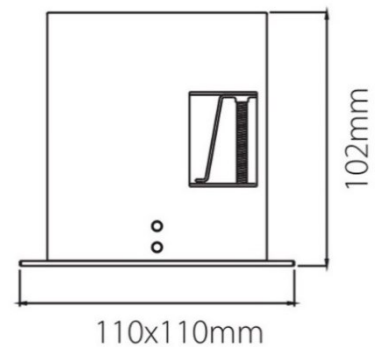
Fitting Length (mm): Not Applicable

Diameter (mm): 110 x 110

Height (mm): 102

Cut-out Dimension (mm): 95 x 95

Dimension:



Packing Information

Packaging Type: Individual box

Quantity per carton: 12

CBM per carton: 0.0457

Gross weight per carton (kgs): 10.3

Lifespan

Lifetime (hours): 50000

Luminous Flux after 50000hours (lm): LM80 Comply

PRODUCT DATASHEET

Model: LDG805

Category: LED Adjustable Downlight

Description: 9w LED Adjustable Downlight



Light Technical Information

| Color Temperature | CRI (Ra) | Gamut Index (GAI) | System Lumen | Lumen per Watt |
|-------------------|----------|-------------------|----------------|----------------|
| 2700 | 90 | 90 | 738 | 67 |
| 2700 | 95 | 100 | 692 | 63 |
| 3000 | 90 | 90 | 777 | 71 |
| 3000 | 95 | 100 | 724 | 66 |
| 3000 Vivid White | 90 | 110 | Not Applicable | Not Applicable |
| 4000 | 90 | 90 | 836 | 76 |
| 4000 | 95 | 100 | 771 | 70 |
| 5000 | 80 | 90 | Not Applicable | Not Applicable |

LED Manufacturer: Luminus

LED Type: COB

LED Model: CXM-6 G3

Optic: Reflector

Beam Angle (°): 20/38/55

Electrical Information

System Power (w): 11

Input Voltage (v) & Frequency: 220-240V 50/60Hz

Output Voltage (v): 15.5-18.5

Current (mA): 500

Non-Dimmable: Tridonic LC 10W 500mA fixC C SNC

Power Factor: 0.9

Efficiency (%): 81

Total Harmonic Distortion (%): <20

Ripple (%): Not Applicable

Dimmable: Triac Dimming – Upon Request

1-10V Dimming – Upon Request

Dali Dimming – Upon Request