

PRODUCT DATASHEET

Model: L2T709 L3T709 L4T709

Category: LED Tracklight

Description: 43w LED Tracklight



General Information

Material: Aluminium

Fitting Colors: Matte White/ Black

Rotation Angle (degree): 350

Tilting Angle (degree): 90

Track System: Available in single wire, 3 wire, 3 phase

IP Rating: 20

Working Temperature (°C): -5- +35

Storage Temperature (°C): -20 - +50

Approval: CB



Product Dimensions and Cut-out Information

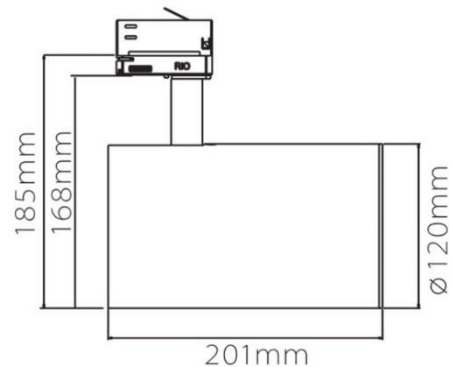
Fitting Length (mm): 201

Diameter (mm): 120

Height (mm): Not Applicable

Cut-out Dimension (mm): Not Applicable

Dimension:



Packing Information

Packaging Type: Individual box

Quantity per carton: 8

CBM per carton: 0.048

Gross weight per carton (kgs): 15.4

Lifespan

Lifetime (hours): 50000

Luminous Flux after 50000hours (lm): LM80 Comply

PRODUCT DATASHEET

Model: L2T709 L3T709 L4T709

Category: LED Tracklight

Description: 43w LED Tracklight



Light Technical Information

Color Temperature	CRI (Ra)	Gamut Index (GAI)	System Lumen	Lumen per Watt
2700	90	90	4108	84
2700	95	100	3850	79
3000	90	90	4462	91
3000	95	100	4031	82
3000 Vivid White	90	110	4234	86
4000	90	90	4798	98
4000	95	100	4180	85
5000	80	90	5476	112
5000	90	90	4636	95

LED Manufacturer: Luminus

LED Type: COB

LED Model: CXM-18 Gen 4

Optic: Reflector

Beam Angle (°): 17/28/40/55

Electrical Information

System Power (w): 49

Input Voltage (v) & Frequency: 220-240V 50/60Hz

Output Voltage (v): 31-37

Current (mA): 1200

Non-Dimmable: Rio non-dimmable driver

Power Factor: 0.92

Efficiency (%): 87

Total Harmonic Distortion (%): <15

Ripple (%): <3

Dimmable: Triac Dimming – Upon Request

1-10V Dimming – Upon Request

Dali Dimming – Upon Request