

PRODUCT DATASHEET

Model: L2T605 L3T605 L4T605

Category: LED Tracklight

Description: 35w LED Tracklight



General Information

Material: Aluminum

Fitting Colors: White/ Black/ Painted Silver

Rotation Angle (degree): 350

Tilting Angle (degree): 180

Track System: Available in single wire, 3 wire, 3 phase

IP Rating: 20

Working Temperature (°C): -5 - +35

Storage Temperature (°C): -20 - +50



Product Dimensions and Cut-out Information

Fitting Length (mm): 40

Diameter (mm): 300

Height (mm): Not Applicable

Cut-out Dimension (mm): Not Applicable

Packing Information

Packaging Type: Individual box

Quantity per carton: 4

CBM per carton: 0.0855

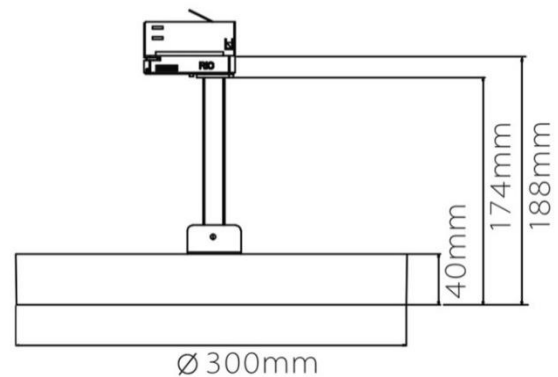
Gross weight per carton (kgs): 7.5

Lifespan

Lifetime (hours): 30000

Luminous Flux after 50000hours (lm): LM80 Comply

Dimension:



PRODUCT DATASHEET

Model: L2T605 L3T605 L4T605

Category: LED Tracklight

Description: 35w LED Tracklight



Light Technical Information

Color Temperature	CRI (Ra)	Gamut Index (GAI)	System Lumen	Lumen per Watt
3000	90	N/A	3266	85
4000	90	N/A	3503	91

LED Manufacturer: Bridgelux

LED Type: SMD

LED Model: 2835

Optic: N/A

Beam Angle (°): 90

Electrical Information

System Power (w): 40

Input Voltage (v) & Frequency: 220-240V 50/60Hz